



8300 LADDER CASTERS

SERIES

110 LBS



FEATURES

KINGPIN: 11/32" diameter rivet
RACEWAY: 3/16" diameter upper race; 5/32" diameter lower race; hardened steel load bearings
BUSHING: Steel bushing

AXLE&NUT: 1/4" riveted axle
FINISH: Corrosion resistant bright zinc
HARDENED: Washers
LEG SPACING: 1"



EXCELLENT FOR:

- Warehouse rolling ladders
- Sophisticated operations in hospitals
- Food service equipment
- Data processing equipment
- Filming & lighting equipment
- High quality products

SPECIAL:

Custom stems available upon request

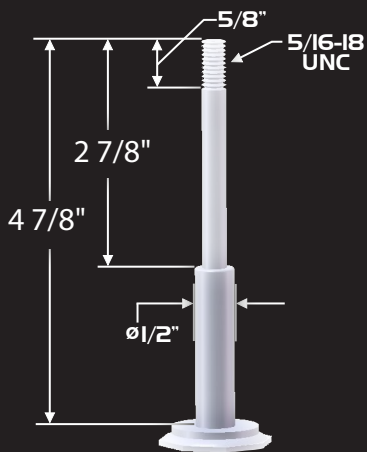
WHEEL		CASTER				PART NUMBER		Caster Weight (lbs)
Diameter	Tread Width	Capacity Lbs.	Bearing Type	Swivel Radius	Overall Height	Wheel Type	Swivel	
2"	13/16"	75 100	Nylon Nylon	1 13/16"	2 1/2"	Soft Rubber	S8302-***-SR	0.60
						Hard Rubber	S8302-***-HR	
3"	13/16"	100 110	Nylon Nylon	2 5/16"	3 1/2"	Soft Rubber	S8303-***-SR	0.73
						Hard Rubber	S8303-***-HR	

* Caster weight based on LC Stem

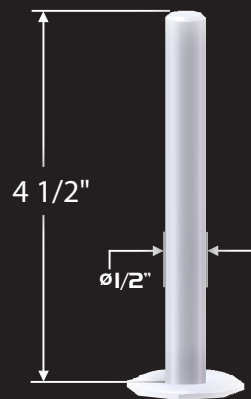
STEMS

LC STEMS

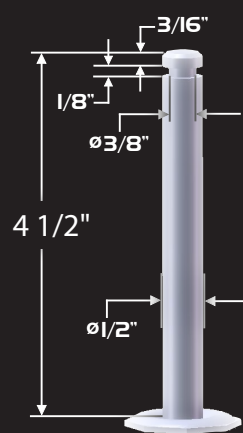
***	DIAMETER	LENGTH	TYPE
LC	1/2"	4 7/8"	NC
LC1	1/2"	4 1/2"	Plain
LC2	1/2"	4 1/2"	Snap Ring
LC4	9/16"	4 9/16"	Snap Ring



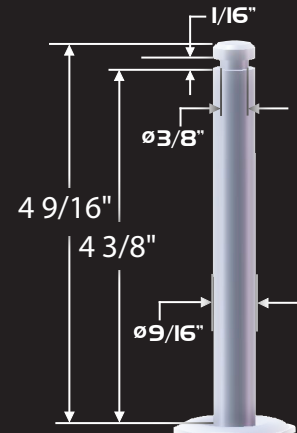
LC



LC1



LC2



LC4