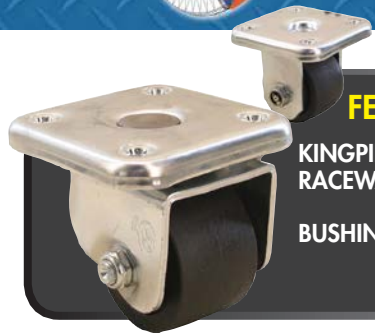




# GO LOW'S

## LOW PROFILE SERIES

# 2,000 LBS



### FEATURES

**KINGPIN:** 5/16" rivet, 9/16" rivet, 3/4" diameter heavy duty kingpin  
**RACEWAY:** 3/16", 1/4", 5/16" diameter upper race; 1/4" diameter lower race (5400 series equal diameter raceway)  
**BUSHING:** Roller bearing with drilled and hardened steel spanner bushing and side washers.

**AXLE&NUT:** 3/8", 1/2" zerk axle and lock nut (excluding PB), 5/16" axle and nut (8000), 12mm axle and lock nut for 2 5/8"  
**FINISH:** Corrosion resistant bright zinc  
**HARDENED:** Yoke and washers (5400), washers (6500 & 8000)  
**LEG SPACING:** 1 3/4" (5400), 2 1/2" (6500)

### EXCELLENT FOR:

- Appliances
- Store fixtures
- Computer equipment
- Metal equipment
- Business machines
- Food equipment
- Freezers
- Abusive application
- Floor protection & excellent mobility



WHEEL		CASTER				PART NUMBER					
Diameter	Tread Width	Capacity Lbs.	Bearing Type	Swivel Radius	Overall Height	Wheel Type	Swivel	Caster Weight (lbs)	Rigid	Caster Weight (lbs)	
1 1/2"	1 3/4"	220	Plain	1 1/2"	2 1/4"	Polyolefin	S8015-A27D-PO	0.78	Not Available		
1 3/4"	1 1/2"	800	Roller	2 49/64" (70mm)	2 31/64" (63mm)	RollX™	SGL175-B29F-RX-RB	2.22	Not Available		
2" Dual Wheel	7/8"	150	Plain	1 13/16"	2 7/8"	ProTech™ Flat	S8022-A27D-PROF	0.82	Not Available		
		160	Nylon			Soft Rubber	S8022-A27D-SR	1.10			
		200	Nylon			Hard Rubber	S8022-A27D-HR	1.10			
		200	Steel			Envirothane™	S8022-A27D-U	0.88			
		200	Steel			Envirothane™ Grey	S8022-A27D-UG	0.88			
2"	1 3/4"	200	Plain	1 13/16"	2 7/8"	Polyolefin	S8022-A27D-PO	0.84	Not Available		
2 3/8"	1 3/8"	1,750	Roller	2 1/2"	3 5/8"	RollX™-WOW	S65253-B29F-RXWX2-RB	4.55	Not Available		
2 5/8"	1 1/2"	350	Roller	2 9/16"	3 11/16"	Polyolefin	S54263-A38F-PO-RB*	2.03	R54263-A38F-PO-RB*	1.48	
		400	Roller			Envirothane™	S54263-A38F-U-RB*	2.09	R54263-A38F-U-RB*	1.54	
		400	Roller			Envirothane™ Grey - RB	S54263-A38F-UG-RB*	2.09	R54263-A38F-UG-RB*	1.54	
		550	Roller			RollX™	S54263-A38F-RX-RB*	2.15	R54263-A38F-RX-RB*	1.60	
		800	Roller			RollX™	SGL263-B29F-RX-RB	1.43	RGL263-B29F-RX-RB	0.43	
3"	1 13/16"	600	Roller	2 5/16"	4 1/16"	Phenolic	S8030-A32F-PH-RB-TSB-Z	2.50	Not Available		
	1 1/2"	400	Roller	2 7/8"	4 1/8"	Polyolefin	S5433-A38F-PO-RB*	2.35	R5433-A38F-PO-RB*	1.97	
		400	Roller			Phenolic	S5433-A38F-PH-RB*	2.58	R5433-A38F-PH-RB*	2.20	
		500	Roller			Envirothane™	S5433-A38F-U-RB*	2.45	R5433-A38F-U-RB*	2.07	
		500	Roller			Envirothane™ Grey	S5433-A38F-UG-RB*	2.45	R5433-A38F-UG-RB*	2.07	
		600	Roller			Lava™	S5433-A38F-LV-RB*	2.50	R5433-A38F-LV-RB*	2.12	
		600	Precision Roller			PurThane™	S5433-A38F-PTN-PB*	3.07	R5433-A38F-PTN-PB*	2.69	
		700	Precision Roller			RollX™	S5433-A38F-RX-RB*	2.50	R5433-A38F-RX-RB*	2.12	
	2"	1,200	Roller	3 1/8"	4 1/4"	RollX™-WOW	SE6533-A38H-RXW-RB*	4.41	RE6533-A38H-RXW-RB*	3.33	
	2,000	Ball	2 5/16"	4 1/4"	RollX™-WOW	S6533-B29F-RXW-BB-13/16SL*	5.00	RE6533-B29F-RXW-BB*	3.13		

### OPTIONS:

- iLK Directional & Wheel iLock (avail. w/ S5433)
- iLKW Wheel Only iLock (avail. w/ S5433)
- iLKS Swivel Only iLock (avail. w/ S5433)
- TLB Top Locking Brake (avail. w/ S5433)
- TSB Thumb Screw Brake (avail. w/S54263, 6533 S65253 & 8030)
- C Raceway Seal
- BB Ball Bearings
- DB Delrin Bearings
- DC Dust Cap for raceway (avail. w/ S5433)
- TG Thread Guards

### FINISHES:

- 4F Black Flat
  - 4G Black Gloss
  - 4I Black Ionic
  - 2 Chrome
- Inquiries on other finishes welcome

### SPECIAL:

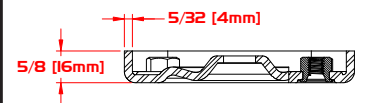
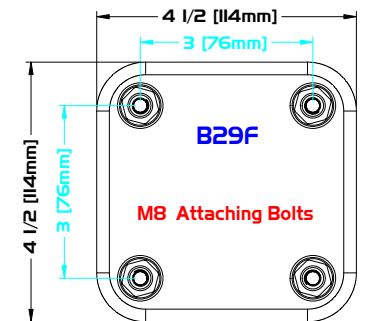
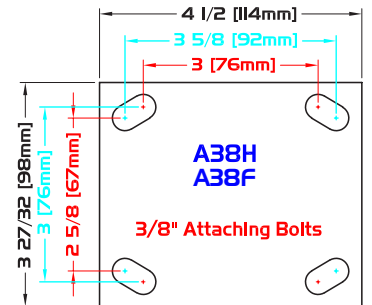
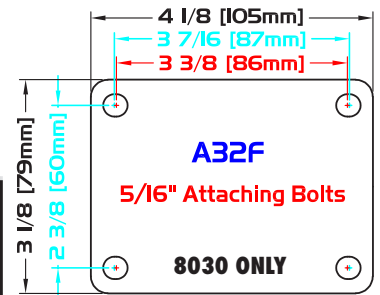
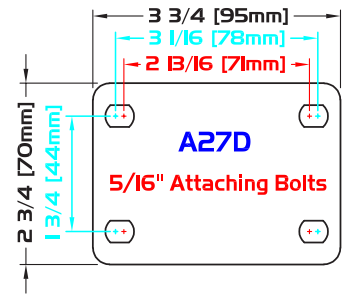
- Non-marking
- High load capacity
- Large precision bearing

\* NSF Certified Caster



STANDARD 8022 PLATE:	A27D	D - Plate Thickness: 3/32"
STANDARD 8030 PLATE:	A32F	F - Plate Thickness: 5/32"
STANDARD 5400 PLATE:	A38F	F - Plate Thickness: 5/32"
STANDARD SE6500 PLATE:	A38H	H - Plate Thickness: 1/4"
STANDARD GL263 PLATE:	B29F	F - Plate Thickness: 5/32"

### PLATE DIAGRAMS



S8022  
DUAL WHEEL



S8022



SGL263



RGL263



S5033  
DUAL WHEEL



S54263



S8030



S5433



SE6533



RE6533



MIGHTY MAXX™  
S65253



S6533