

0900 SERIES

125LBS



FEATURES

KINGPIN: 7/16" rivet
RACEWAY: 7/32" diameter upper and lower race; hardened steel load bearings
BUSHING: Nylon or steel
AXLE&NUT: 1/4" axle and lock nut
FINISH: Corrosion resistant bright zinc finish

HARDENED: Yoke and washers
SPECIAL: Most stems available for swivel and rigid casters. Upper and lower diameter race is equal for added performance and strength
LEG SPACING: 1"

EXCELLENT FOR:

- Institutional furniture
- Hospitals
- Food service equipment
- Tool boxes
- Store fixtures



OPTIONS:

- TLB Top Locking Brake (swivel only)
- SLB Side Locking Brake (SLB will not work with PB or TG)
- AR Riveted Axle
- CD Cross Drilled holes
- PB Precision Bearing (Ice, ProTech Crown & PurThane Wheels Only)
- TG Thread Guards

| WHEEL | | CASTER | | | | PART NUMBER | | | | |
|----------|-------------|---------------|--------------|---------------|----------------|---------------------------|-----------------------|---------------------|-----------------------|---------------------|
| Diameter | Tread Width | Capacity Lbs. | Bearing Type | Swivel Radius | Overall Height | Wheel Type | Swivel | Caster Weight (lbs) | Rigid | Caster Weight (lbs) |
| 3" | 7/8" | 75 | Precision | 2 3/8" | 3 7/8" | ProTech™ Black Crown - PB | S0933-***-PROBL-PB-TG | 0.95 | R0933-***-PROBL-PB-TG | 0.78 |
| | | 75 | Plain | | | ProTech™ Flat | S0933-***-PROF | 0.88 | R0933-***-PROF | 0.71 |
| | | 100 | Steel | | | Conductive Soft Rubber | S0933-***-CSR | 1.02 | R0933-***-CSR | 0.85 |
| | | 100 | Precision | | | ICE™ | S0933-***-ICE-PB | 1.00 | R0933-***-ICE-PB | 0.83 |
| | | 100 | Steel | | | Soft Rubber | S0933-***-SR | 1.02 | R0933-***-SR | 0.85 |
| | | 100 | Steel | | | Soft Rubber Grey | S0933-***-SRG | 1.02 | R0933-***-SRG | 0.85 |
| | | 125 | Plain | | | Polyolefin | S0933-***-PO | 0.88 | R0933-***-PO | 0.72 |
| | | 125 | Precision | | | PurThane™ | S0933-***-PTN-PB-TG | 1.19 | R0933-***-PTN-PB-TG | 1.02 |
| | | 125 | Nylon | | | Envirothane™ | S0933-***-U | 0.94 | R0933-***-U | 0.77 |
| | | 125 | Nylon | | | Envirothane™ Grey | S0933-***-UG | 0.94 | R0933-***-UG | 0.77 |

* Caster weight and OH based on Plate
 * See stem options for overall height (OH) differences

FINISHES:

- 093AB Antique Brass
 - 093AC Antique Copper
 - 0934F Black Flat
 - 0934G Black Gloss
 - 0934I Black Ionic
 - 0931 Brass Lacquer
 - 093BN Brush Nickel
 - 0932 Chrome
 - 0935 Yellow Chromate
- Inquiries on other finishes welcome

ICE WHEEL COLOURS

+Actual colours may vary

| COLOUR | PART NUMBER | SIZE AVAILABILITY | |
|---------|-------------|-------------------|--|
| CLEAR | ICE | 2" * 2 5/16" * 3" | |
| BLUE | ICEB | 2" * 2 5/16" * 3" | |
| BLACK | ICEBL | 2" | |
| GREEN* | ICEG* | 2" * 2 5/16" * 3" | |
| ORANGE* | ICEO* | 3"* | |
| PURPLE* | ICEP* | 3"* | |
| PINK | ICEPI | 3" | |
| RED* | ICER* | 2" * 2 5/16" * 3" | |

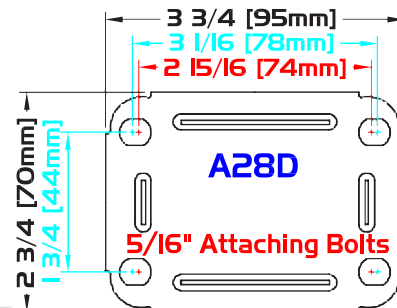
* Custom order run 2,500 pieces minimum. Call for availability



PLATE DIAGRAMS

STANDARD PLATE: A28D

Plate Thickness: 3/32"



THREADED STEMS HEX WASHER

-.0937" [2.38mm] To Std OH

| *** | DIAMETER | LENGTH | TYPE |
|----------------|----------|--------|------|
| 3/8-16X1HW | 3/8" | 1" | NC |
| 1/2-13X1HW | 1/2" | 1" | NC |
| 1/2-13X1 1/2HW | 1/2" | 1 1/2" | NC |
| 1/2-13X2 1/4HW | 1/2" | 2 1/4" | NC |

THREADED STEMS HEX NUT

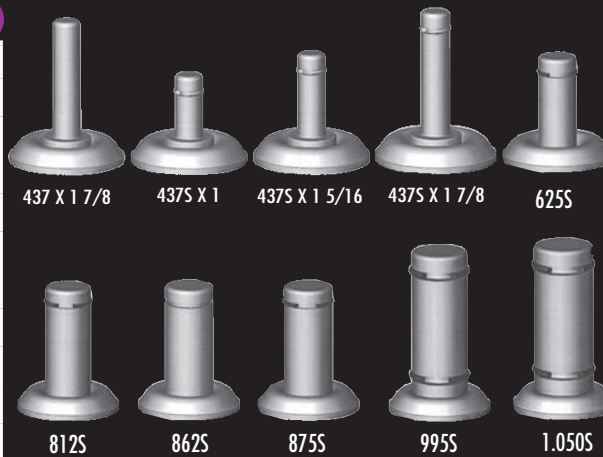
+.1562" [3.97mm] To Std OH

| *** | DIAMETER | LENGTH | TYPE |
|----------------|----------|--------|------|
| 1/2-13X1HN | 1/2" | 1" | NC |
| 1/2-13X1 7/8HN | 1/2" | 1 7/8" | NC |
| 1/2-13X3 1/2HN | 1/2" | 3 1/2" | NC |

ROUND STEMS

-.0937" [2.38mm] To Std OH

| *** | DIAMETER | LENGTH | TYPE |
|-------------|----------|---------|---------------|
| 437X1 7/8 | 7/16" | 1 7/8" | Plain |
| 437SX1 | 7/16" | 1" | Friction Ring |
| 437SX1 5/16 | 7/16" | 1 5/16" | Friction Ring |
| 437SX1 7/8 | 7/16" | 1 7/8" | Friction Ring |
| 625S | 5/8" | 1 5/8" | Friction Ring |
| 812S | 13/16" | 2" | Friction Ring |
| 862S | .862" | 2" | Friction Ring |
| 875S | 7/8" | 2" | Friction Ring |
| 995S | .995" | 2 1/2" | Friction Ring |
| 1.050S | 1 3/64" | 2 1/2" | Friction Ring |



* Tapped holes upon request.

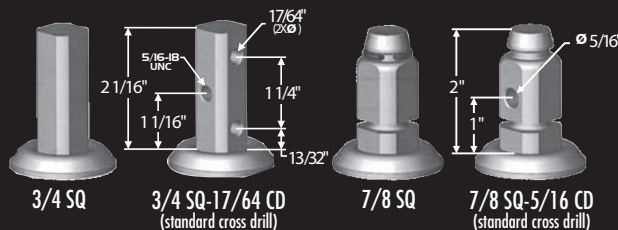
** Special CD hole locations upon request.

*** Friction rings not applied with cross drill

SQUARE STEMS

-.0937" [2.38mm] To Std OH

| *** | DIAMETER | LENGTH |
|-------|----------|--------|
| 3/4SQ | 3/4" | 2" |
| 7/8SQ | 7/8" | 2" |



* Tapped holes upon request.

** Special CD hole locations upon request.

*** Friction rings not applied with cross drill

SPECIAL STEMS

| *** | DIAMETER | LENGTH |
|--------|----------|--------|
| 3/4NPT | 1" | 3/4" |
| EXP | 1 1/2" | 3 1/2" |

